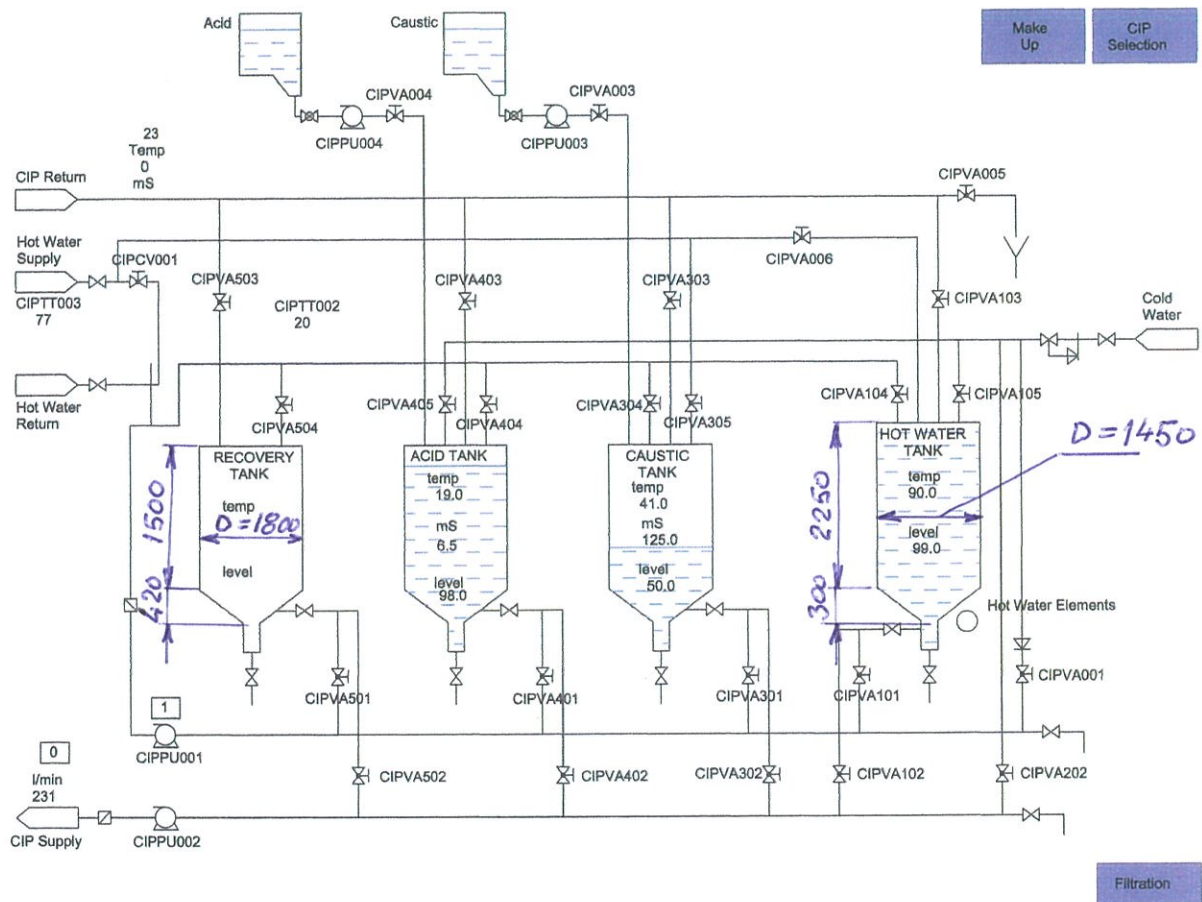


CIP TANKS AND VALVES



Recovery Tank : 4200 L
 Acid Tank : 4200 L
 Caustic Tank : 4200 L
 Hot Water Tank : 4800 L